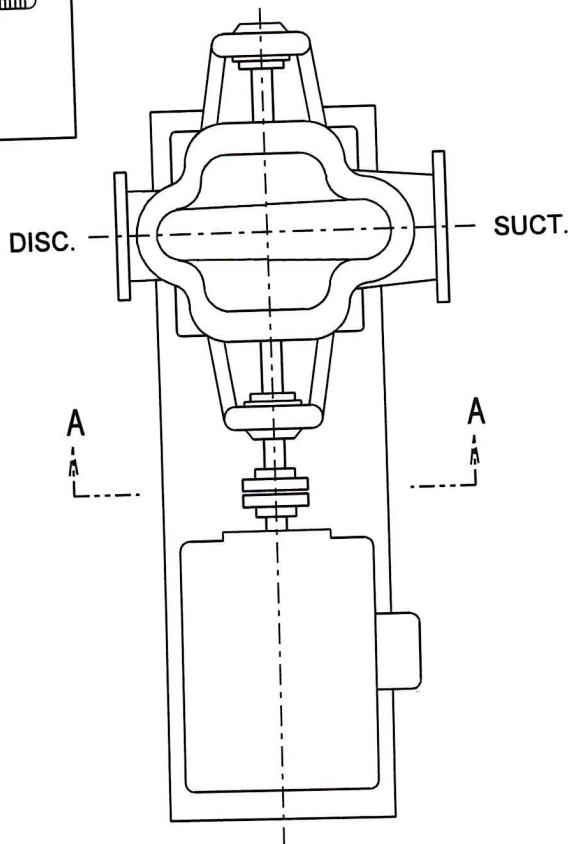


# ROTATIONAL VIEWS

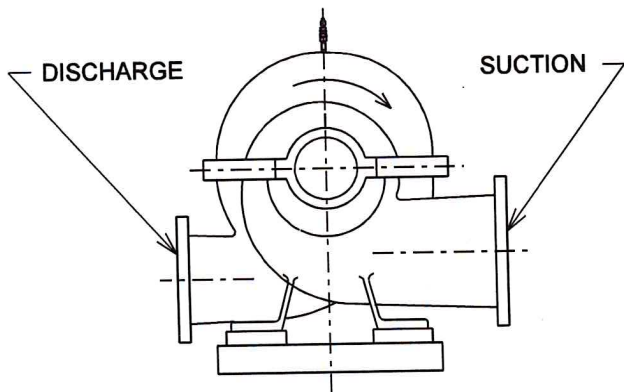
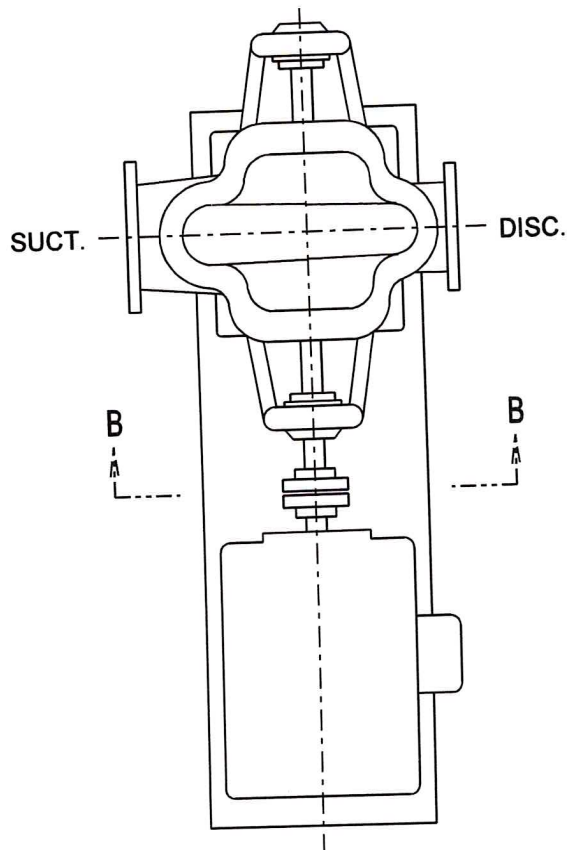
**PATTERSON PUMP COMPANY**  
 A SUBSIDIARY OF THE GORMAN-RUPP COMPANY

1 REV. ECHM1814 7/24/03 IAC

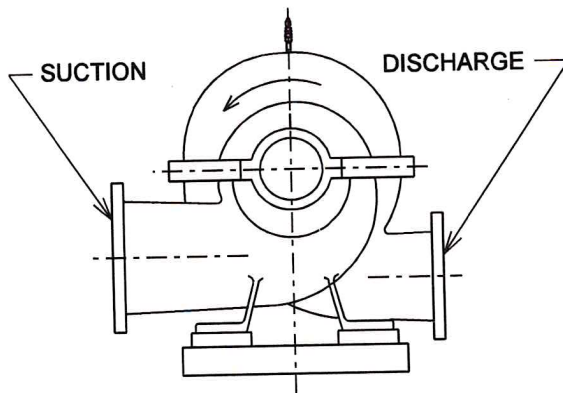
## CLOCKWISE ROTATION



## COUNTERCLOCKWISE ROTATION



VIEW A-A



VIEW B-B

CW

PRINT \_\_\_\_\_

SIGN \_\_\_\_\_

CCW

PRINT \_\_\_\_\_

SIGN \_\_\_\_\_

**ROTATION MUST BE VERIFIED BY END USER / CONSULTANT PRIOR TO MANUFACTURING.**